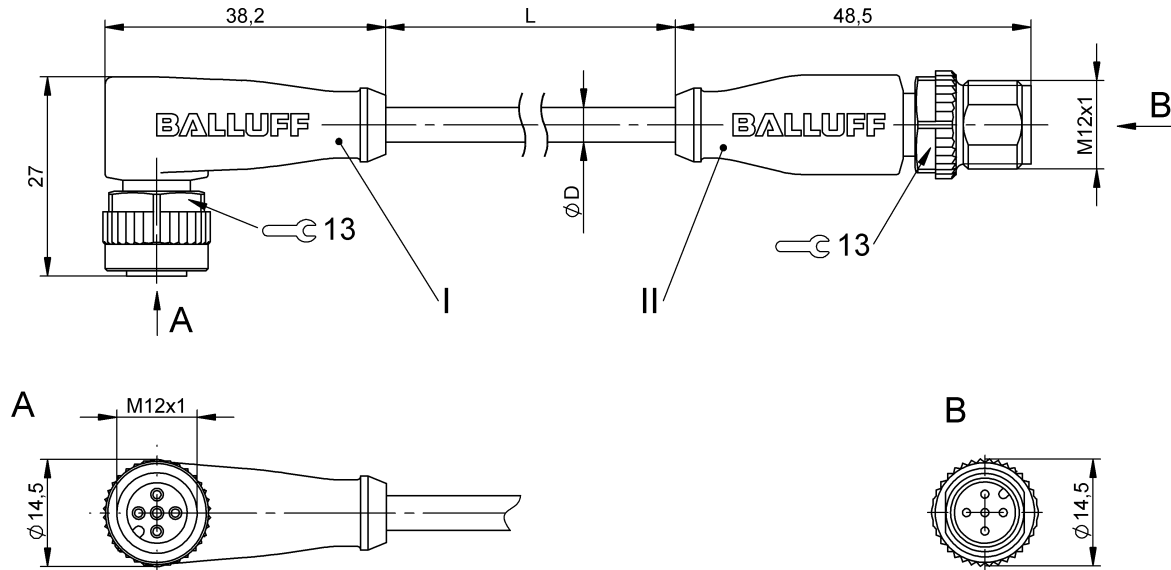


Double-Ended Cordsets  
**BCC M425-M415-3A-660-PX0534-010**  
**Order Code: BCC09FE**

**BALLUFF**



**Basic features**

|                     |                     |
|---------------------|---------------------|
| Approval/Conformity | CE<br>cULus<br>WEEE |
|---------------------|---------------------|

**Display/Operation**

|                            |              |
|----------------------------|--------------|
| Function indicator (Pin 2) | LED white    |
| Function indicator (Pin 4) | LED yellow   |
| Power indicator            | LED green/no |

**Electrical connection**

|                                     |                                       |
|-------------------------------------|---------------------------------------|
| Bending radius min., fixed cable    | 5 x D                                 |
| Bending radius min., flexible cable | 10 x D                                |
| Cable                               | PUR black, 1 m, drag chain compatible |
| Cable diameter D                    | 5.00 mm ±0.20 mm                      |
| Cable, bending cycles min.          | 2 mil.                                |
| Conductor cross-section             | 0.34 mm <sup>2</sup>                  |
| Connection 1                        | M12x1-Female, angled, 5-pin, A-coded  |
| Connection 2                        | M12x1-Male, straight, 5-pin, A-coded  |
| Number of conductors                | 5                                     |
| System                              | Molded/Molded                         |

**Electrical data**

|                       |        |
|-----------------------|--------|
| Operating voltage Ub  | 30 VDC |
| Rated current (40 °C) | 4.0 A  |

**Environmental conditions**

|   |                                     |
|---|-------------------------------------|
| Cable temperature UL max., fixed routing    | 80 °C                               |
| Cable temperature UL max., flexible routing | 80 °C                               |
| Cable temperature, drag chain               | -25...60 °C                         |
| Cable temperature, fixed routing            | -50...90 °C                         |
| Cable temperature, flexible routing         | -25...90 °C                         |
| IP rating                                   | IP67, IP68, IP69K/IP67, IP68, IP69K |

**Interface**

|                  |                      |
|------------------|----------------------|
| Switching output | PNP NO/NC antivalent |
|------------------|----------------------|

**Material**

|                          |                             |
|--------------------------|-----------------------------|
| Cable jacket, material   | PUR                         |
| Material contact carrier | PUR/PUR                     |
| Material contacts        | Bronze/Brass                |
| Material cover nut       | Die-cast zinc/Die-cast zinc |
| Material grip            | PUR/PUR                     |

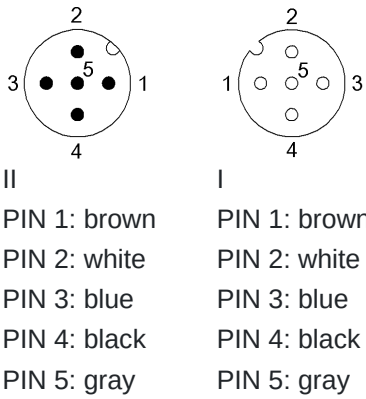
**Mechanical data**

|   |                       |
|---|-----------------------|
| Acceleration max., drag chain           | 5 m/s <sup>2</sup>    |
| Cable jacket, color                     | black                 |
| Cable length L                          | 1.00 m                |
| Cable properties                        | drag chain compatible |
| Horizontal travel permitted, drag chain | 5 m                   |
| Tightening torque pigtail               | 0.6 Nm/0.6 Nm         |
| Traverse speed max., drag chain         | 200 m/min             |
| Vertical travel permitted, drag chain   | 5 m                   |

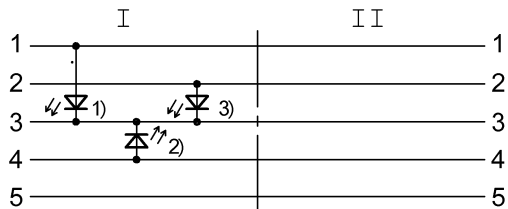
**Remarks**

Cable construction acc. to UL-AWM Style 20549  
 Halogen-free per DIN VDE 0472 Part 815  
 Silicone-free  
 Flame-retarding acc. to IEC 60332-2  
 Enclosure rating per IEC 60529 or 20653, only in screwed state with the associated mating piece.

**Connector Drawings**



**Wiring Diagrams**



- 1) Green LED = Power
- 2) Yellow LED = Function
- 3) LED white = Function